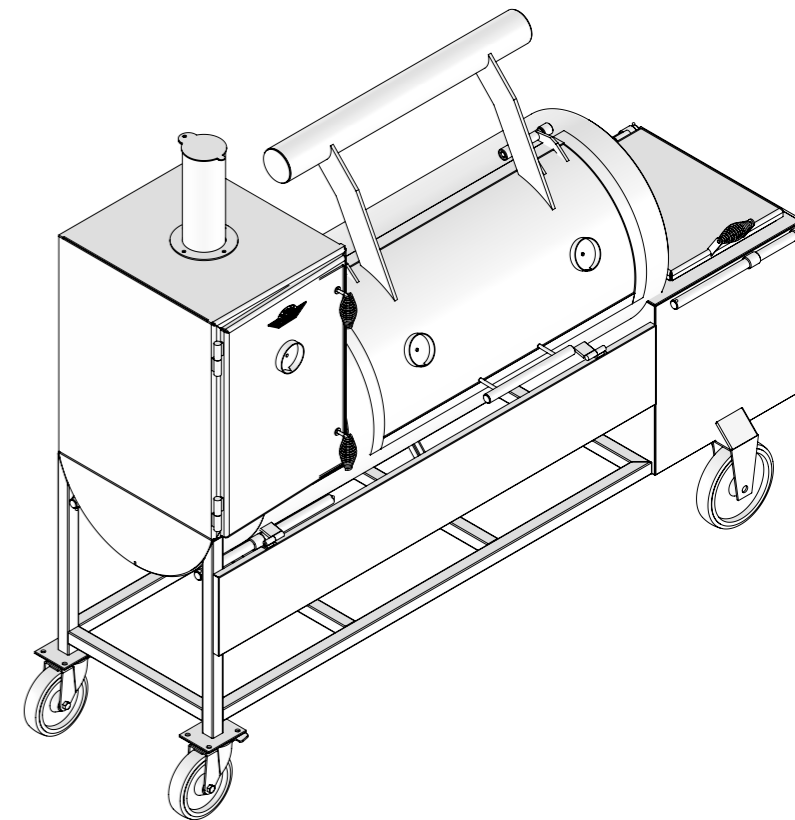
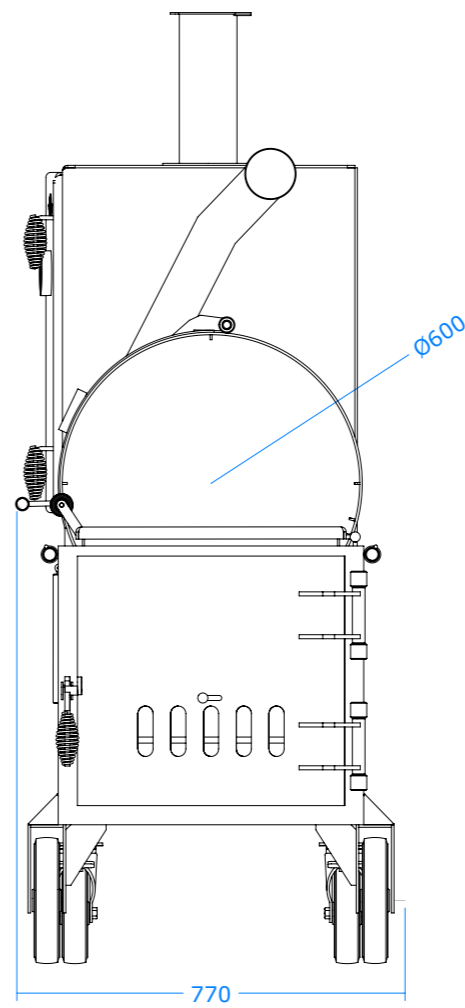
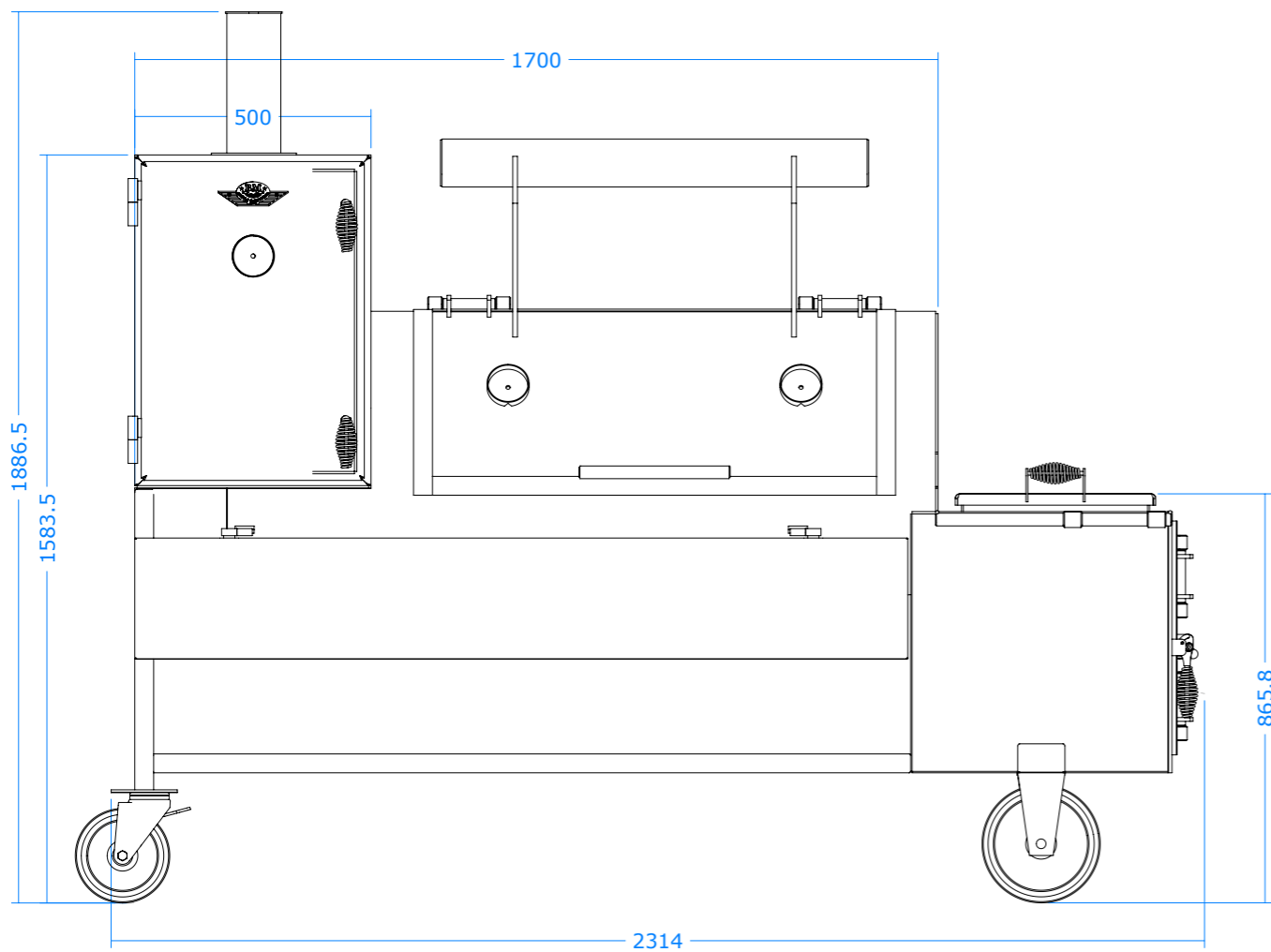


Project: BMS-4 PLUS

Date: 2019

Quantity: 1



	Mass: 508.77 kg	Scale: 1:50
	Shett: 1-1	Size: A3
	Date: 2021-02-03	REV: A
	Material: Mild steel	
DRWG by:	Description:	
	DRWG no: BMS4CST-001-001-000-B	