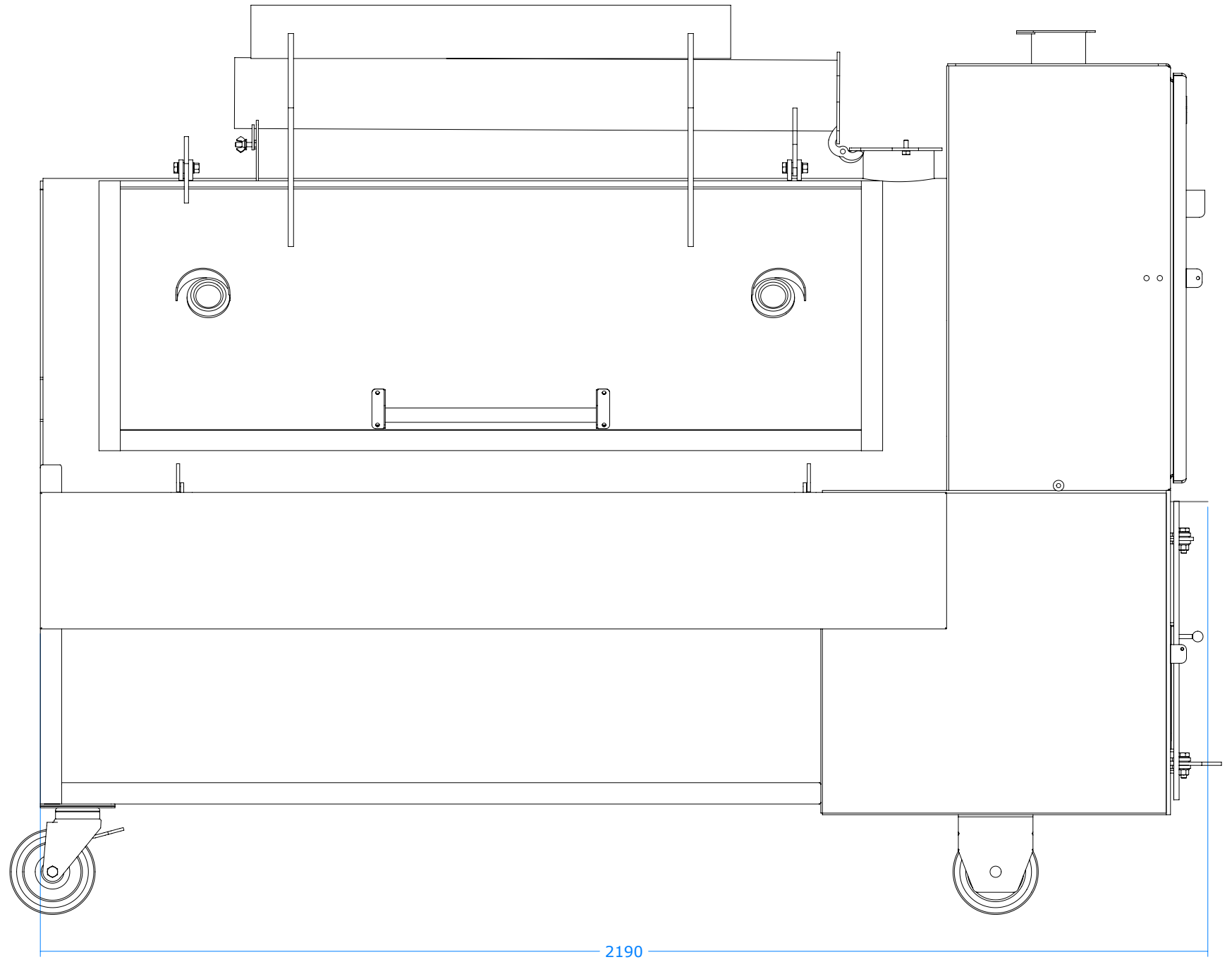
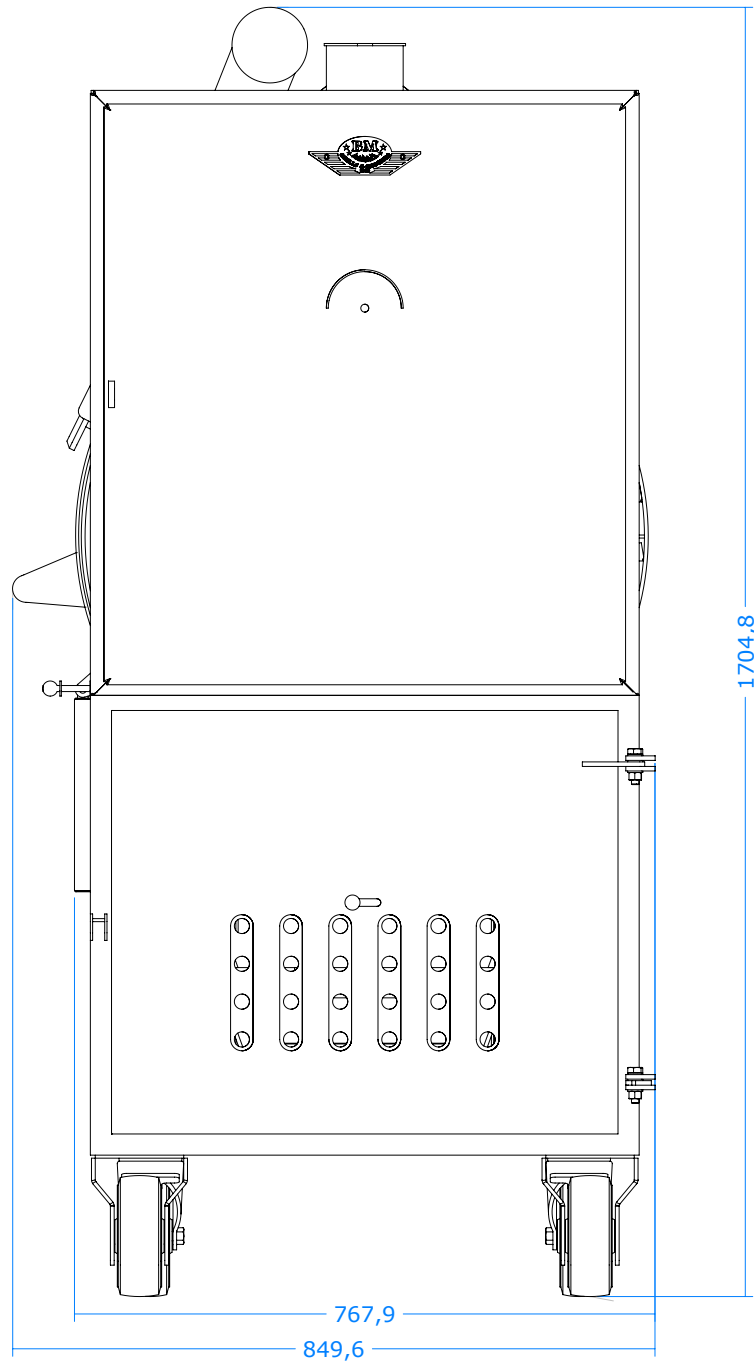
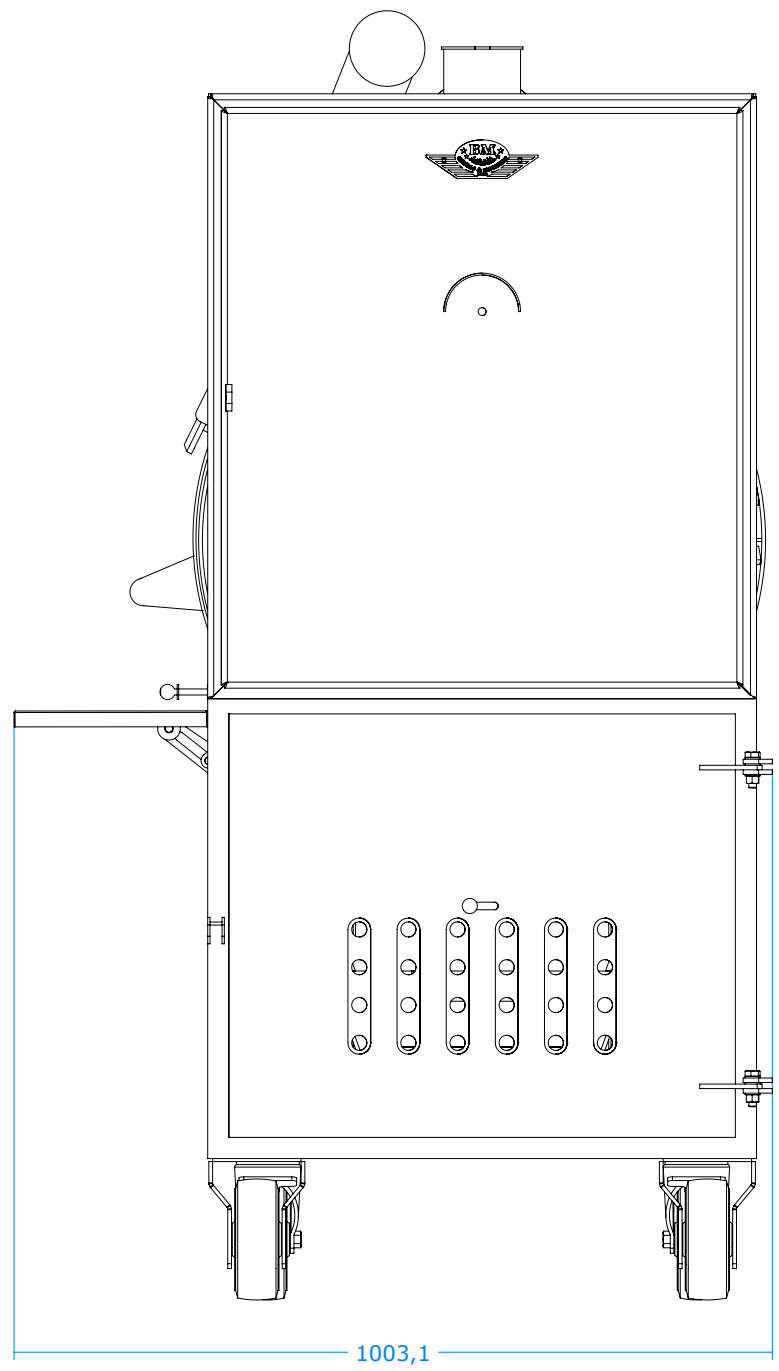


Project: **BMS-5**
Date: **2021**
Quantity: **1**



	Mass: 642.10 kg	Scale: 1:50
	Shett: 1-1	Size: A3
	Date: 2025-03-10	REV: A
	Material: n/a	
DRWG by:	Description:	
	DRWG no: BMS5-001-001-000-D su tarpin	

Project: BMS-5
Date: 2021
Quantity: 1



	Mass: 642.10 kg	Scale: 1:50
	Shett: 2-2	Size: A3
	Date: 2025-03-10	REV: A
	Material: n/a	
DRWG by:	Description:	
	DRWG no: BMS5-001-001-000-D su tarpin	